



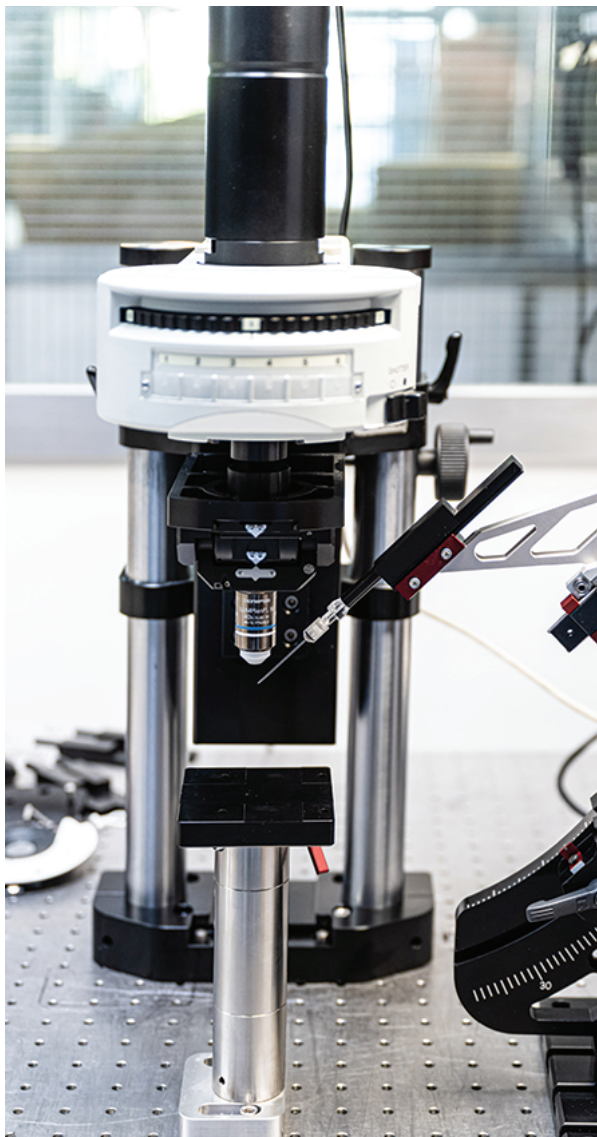
Optic

LNscope

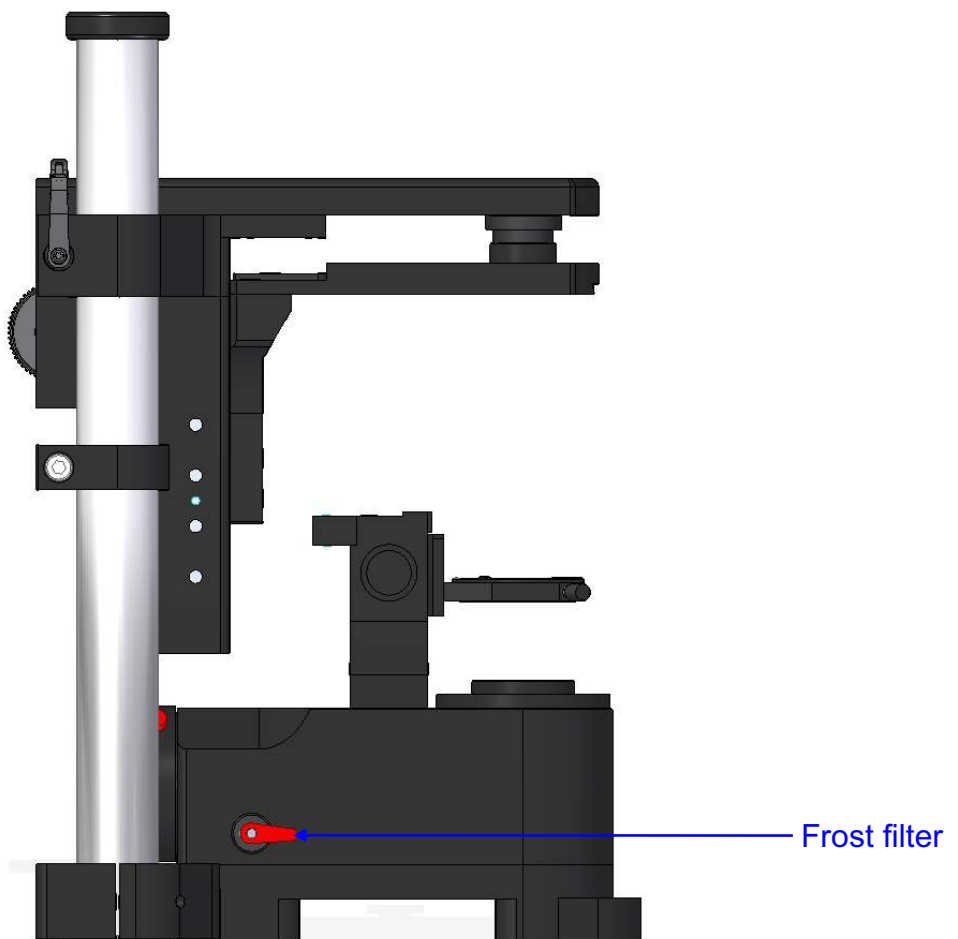
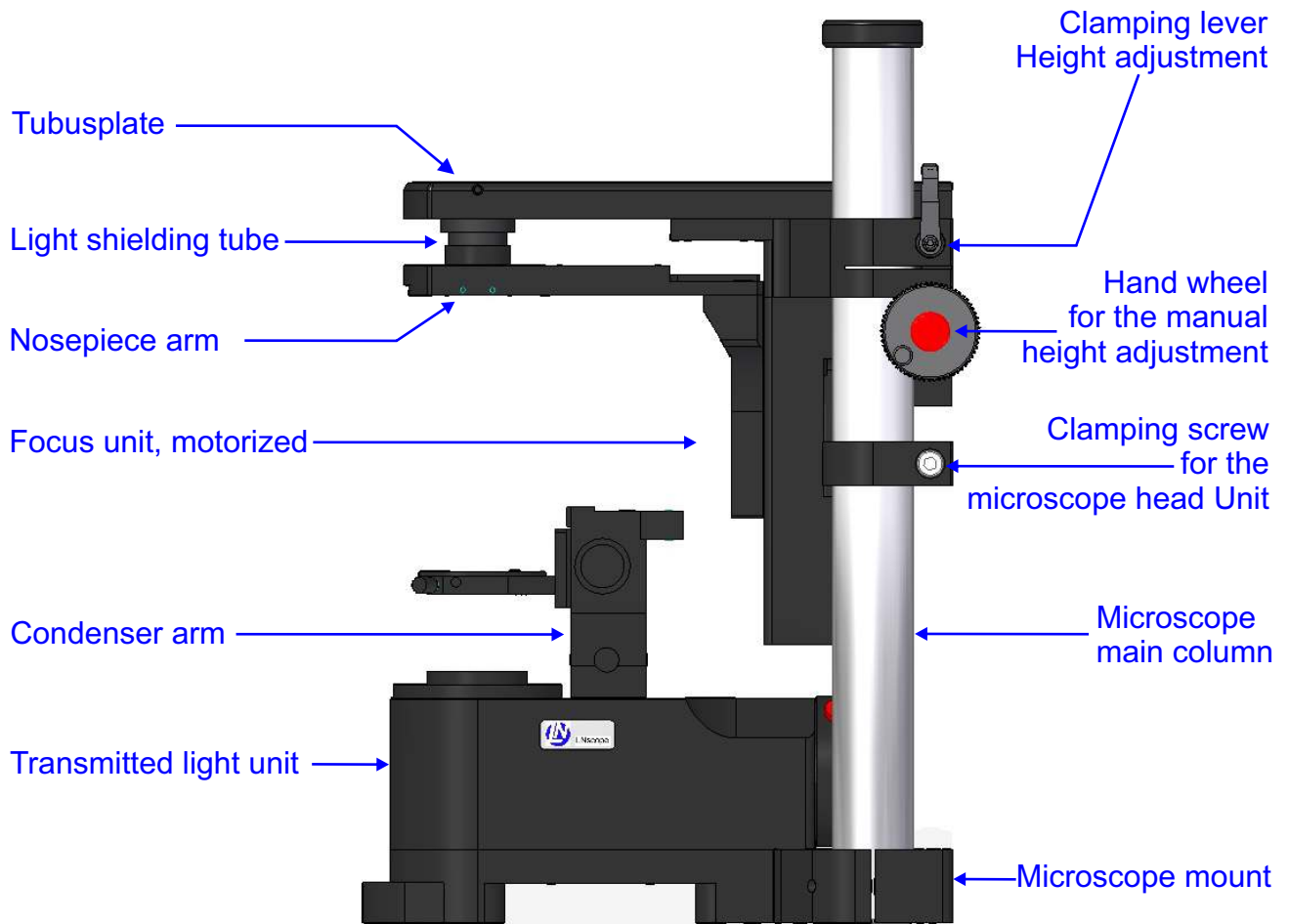
Special features for the LNscopes

The LN-microscopes contains of the following features:

- Super optical imaging properties by using original microscope components
- Upgrade and retrofit of accessories from Olympus for the upright microscope BX51WI
- Suitable for microscopy tasks like bright field, imaging, laser scanning e.g. two-photon system
- motorized focus
- motorized positioning of the condenser (optional)
- flexible design of modular microscope body allows:
 - stepless height adjustment of objective and reflected light illuminator by a manual Z drive allows working with different heights of probes and platforms
 - fast exchange device for condenser and condenser carrier for the use of in vivo and in vitro platforms
 - Easy removal of the transmission light device for even more space while InVivo system like reality jet ball system or treadmill are used
- Sturdy construction with stainless steel guide columns, results in an outstanding stability, thermal drift and vibration free behaviour.
- Slim design for the use of up to 16 manipulator units
- Ground connection for electrophysiological measurements
- Z-Drive compatible with LN controls

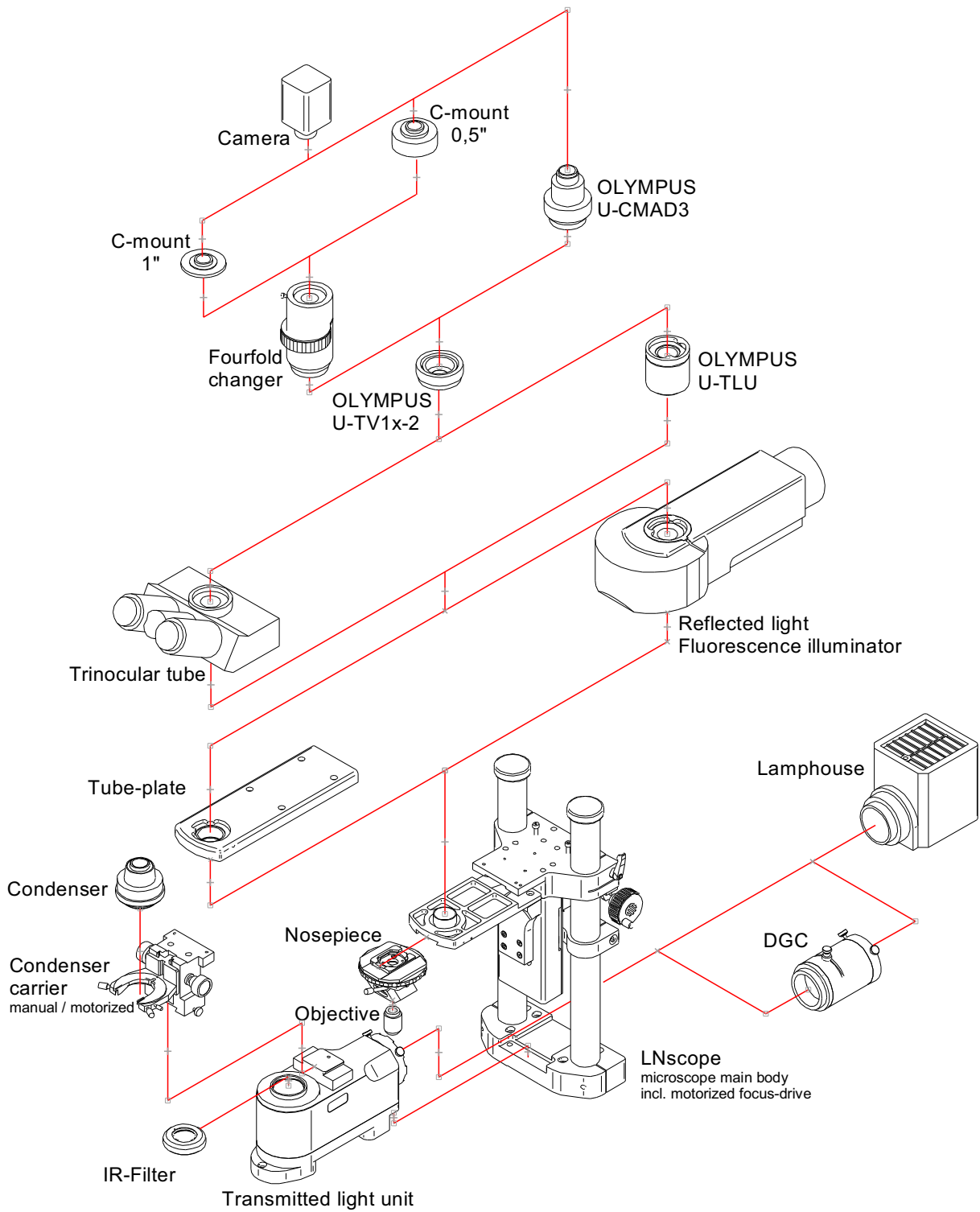


5. Overview: LNscope



6. LNscope-main body + accessories

Overview



22. Technical data

